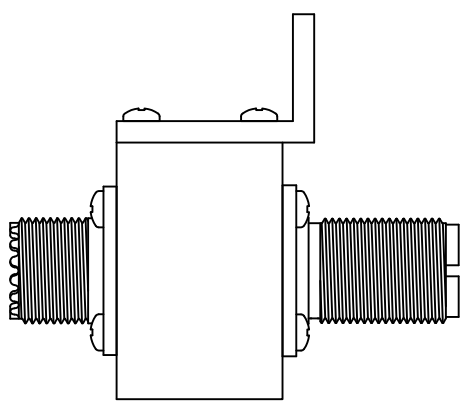
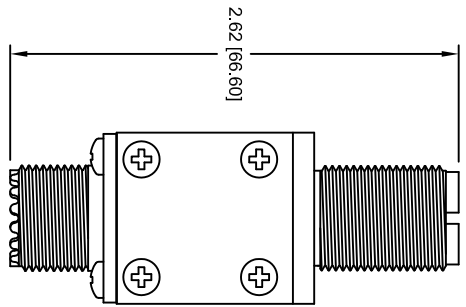
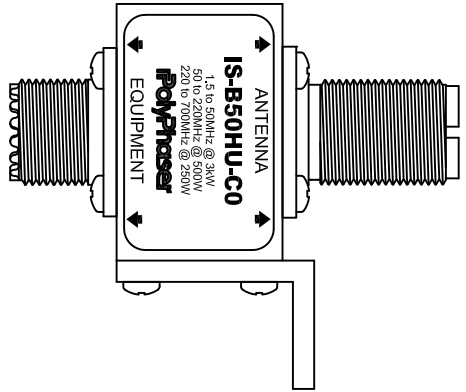
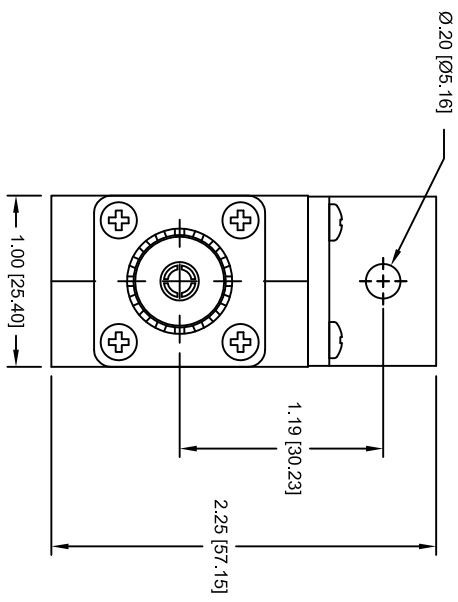


REVISIONS				
REV.	DESCRIPTION	ECN	DATE	APPROVED
E	REFER TO ECN	10493	3/5/12	LC



**MAXIMUM CHARACTERISTICS**

APPLICATION:  
BULKHEAD MOUNT  
FREQUENCY RANGE:  
1.5MHZ TO 700MHZ  
SURGE:  
50KA IEC 61000-4-5 8/20µs WAVEFORM 500J  
TURN-ON:  
1200Vdc ±20% 7ns FOR 2kV/ns  
VSWR:  
≤1.2:1 @ 1.5MHZ TO 700MHZ  
INSERTION LOSS:  
<0.1DB OVER FREQUENCY RANGE  
MAX POWER:  
HF 3kW, VHF 500W, UHF 250W  
THROUGHPUT ENERGY:  
<20mJ TYPICAL  
STORAGE/OPERATING TEMPERATURE:  
-45°C TO +85°C  
RELATIVE HUMIDITY:  
90% AT 40°C  
VIBRATION:  
1G AT 5Hz TO 100Hz  
EU ROHS COMPLIANT



CUSTOMER APPROVAL \_\_\_\_\_ DATE: \_\_\_\_\_

ALL DIMENSIONS SHOWN ARE FOR REFERENCE ONLY.

UNLESS OTHERWISE SPECIFIED LEADING DIMENSIONS ARE INCHES DIMENSIONS IN [ ] ARE MILLIMETERS		DRAWN C. GASPARINI ENG APPD 6/18/98		DATE 6/18/98	
TOLERANCES: FRACTIONS=± ANGLES= 1°		PRODUCT MGR R. DUNNING K. BARTEL		DATE 6/23/98	
MATERIAL: NOTED		MARKETING APPD R. MATTHEUS		DATE 6/24/98	
THIRD-ANGLE PROJECTION		PROJECT NO.			

TITLE <b>IS-B50HU-C0</b> CUSTOMER PRINT		DRAWN C. GASPARINI ENG APPD 6/18/98		DATE 6/18/98	
SCALE= NTS		PRODUCT MGR R. DUNNING K. BARTEL		DATE 6/23/98	
SIZE A		MARKETING APPD R. MATTHEUS		DATE 6/24/98	
CAGE 61114		PROJECT NO.			
DOCUMENT NAME IS-B50HU-C0-C		DRAWN C. GASPARINI ENG APPD 6/18/98		DATE 6/18/98	
PART NUMBER IS-B50HU-C0		PROJECT NO.			
SHEET 1 of 1		PROJECT NO.			

