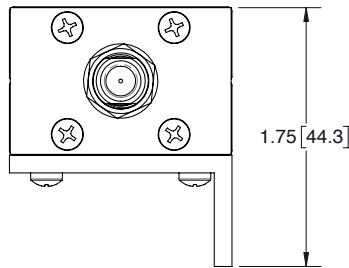
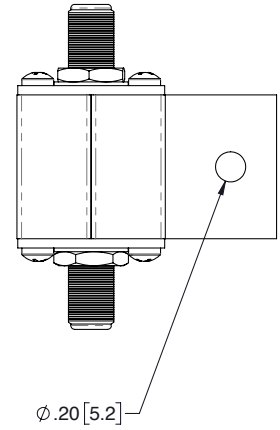
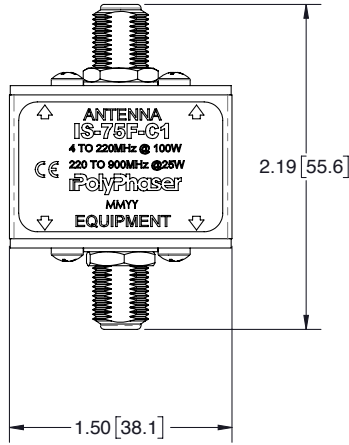
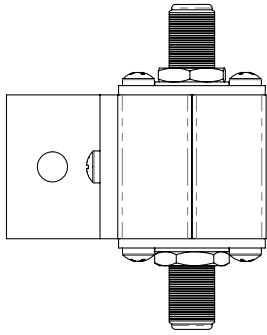


REVISIONS				
REV.	DESCRIPTION	ECN	DATE	APPROVED
H	REFER TO ECN	14016	4/21/17	EJD



MAXIMUM CHARACTERISTICS

SURGE:
50kA IEC 61000-4-5 8/20µs WAVEFORM 500 J

TURN-ON:
600Vdc ±20%

TURN-ON TIME:
2.5ns FOR 2kV/ns

POWER:
HF 100W, VHF 100W, UHF 25W

FREQUENCY RANGE:
4MHz TO 900MHz



VSWR:
≤1.25:1 @ 4MHz to 6MHz
≤1.2:1 @ 6MHz to 900MHz

INSERTION LOSS:
≤0.2dB OVER FREQ RANGE

TEMPERATURE:
-45°C +85°C STORAGE/OPERATING +50°C

CUSTOMER APPROVAL: _____ DATE: _____

ALL DIMENSIONS SHOWN ARE FOR REFERENCE ONLY.

<small>UNLESS OTHERWISE SPECIFIED LEADING DIMENSIONS ARE INCHES DIMENSIONS IN () ARE MILLIMETERS</small> <small>TOLERANCES: FRACTIONS=± 1/32 .XX=± .01 ANGLES=± 1° XXX=± .005</small> <small>NOTICE: THE INFORMATION AND DESIGN IN THIS DOCUMENT IS THE PROPERTY OF POLYPHASER CORPORATION. ALL RIGHTS RESERVED.</small> <small>THIRD-ANGLE PROJECTION</small> 	<small>DRAWN</small> C. GASPARINI <small>ENG APPD</small> O. AKDAG <small>PRODUCT MGR</small>	<small>DATE</small> 02/12/96 <small>02/13/96</small>	 <small>TITLE</small> CUSTOMER PRINT IS-75F-C1 <small>CUSTOMER SPECIFICATION</small>	<small>SHEET</small> 1 OF 1 <small>SCALE</small> 1:1
	<small>MARKETING APPD</small> R. MATHEUS <small>PROJECT NO.</small>	<small>DOCUMENT NAME</small> IS-75F-C1-C		<small>SIZE</small> A <small>CAGE</small> 30992 <small>PROD CAT</small> RFP <small>PART NUMBER</small> IS-75F-C1 <small>REV</small> H

THESE COMMODITIES, TECHNOLOGY OR SOFTWARE WERE EXPORTED FROM THE UNITED STATES IN ACCORDANCE WITH THE EXPORT ADMINISTRATION REGULATIONS. DIVERSION CONTRARY TO U.S. LAW PROHIBITED.